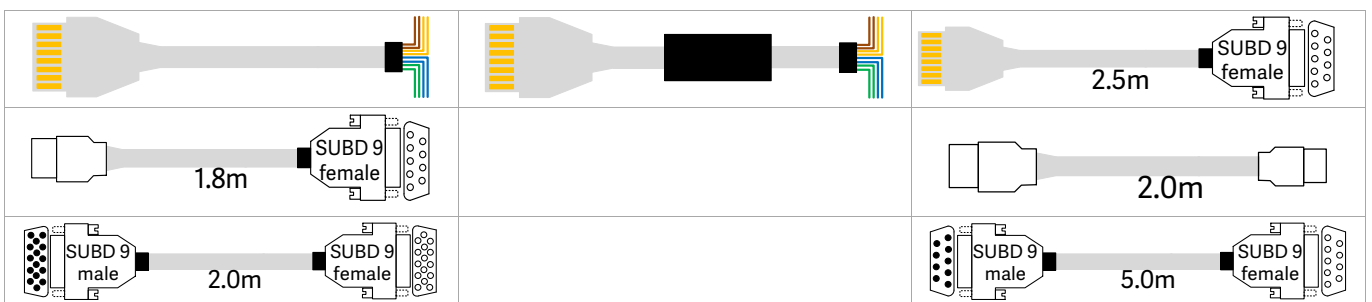
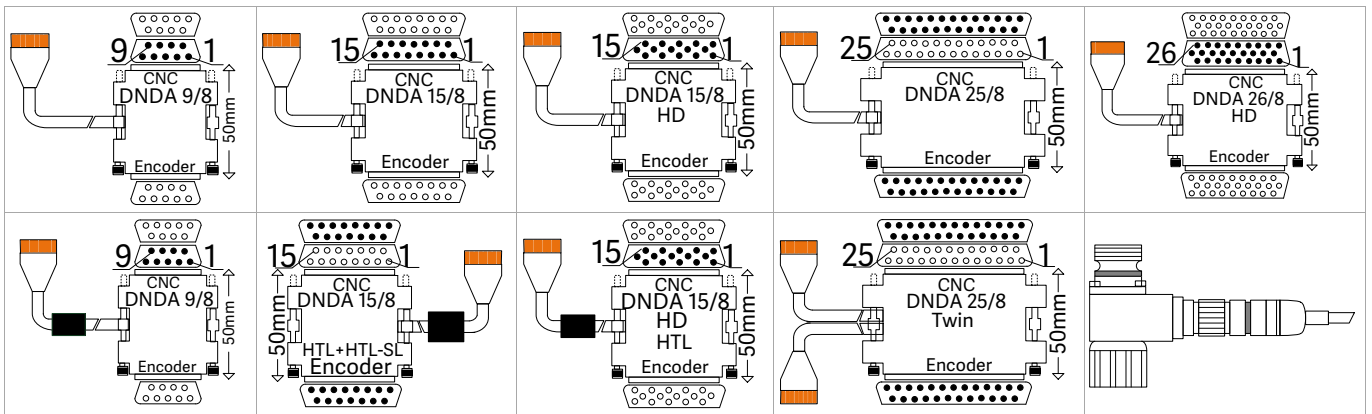


# Kabeladapter Betriebsanleitung Cable adapter Instruction Manual



Wir sind Sicherheit



## Beschreibung

<p><b>Beschreibung</b> Die Kabeladapter DNDA und DNRJ 45 sind eine Signalverbindung zwischen dem Messsystem einer Achse und DINA Sicherheitsprodukten zur Überwachung des Stillstands und anderen Betriebsarten.</p> <p>Beide Verbindungskabel können eingesetzt werden mit DNDS, SAFELINE und SL VARIO.</p> <p>Sie sind lieferbar in den verschiedensten Varianten und Kabellängen passend zu jedem Antriebssystem.</p>	<p><b>Description</b> The cable adaptors DNDA and DNRJ 45 are a signal connection between the measuring system of an axle and the DINA safety product to monitor the standstill and others function modes.</p> <p>Both connection cable can be used with DNDS, SAFELINE and SL VARIO.</p> <p>They are deliverable in different variants and cable length suitable to every drive measuring system.</p>
--	--

Technische Daten	
Umgebungsbedingung	
Betriebstemperatur	-10 → + 60°C
Lagertemperatur	-40 → + 85°C
Rüttelfestigkeit in allen 3 Ebenen	3 g, 32 Hz
Allgemeine .Angaben zum Gerät	
Gehäusematerial	PC, PA / VO (UL94)
Gewicht	300 g
Kabellänge Standard, andere auf Wunsch	2,5m

Technical data	
Environment condition	
Operating temperature	-10 → + 60°C
Storage temperature	-40 → + 85°C
Vibration tolerance on all 3 levels	3 g, 32 Hz
General information for the unit	
Housing material	PC, PA / VO (UL94)
Weight	300 g
Cable's length standard, other on request	2,5m

Symbol innerhalb der Überschrift		Symbol inside the title			
>	>	Messsystemanschluss		Measuring system connection	
RJ45 Kabel an der Seite von Pin 1, 9, 15, 25, 26	RJ45 Cable at the side of pin 1, 9, 15, 25, 26	Buchse F	Stecker M	Female F	Male M

## Beschreibung

Inhaltsverzeichnis	Seite
Contents	Page
Beschreibung.....	3
Description.....	3
DNDA 9/8/ RJ45 > Pin 9/ F.....	5
DNDA 9/Kabel > Pin 9 / F.....	5
DNDA 9/8 HTL.....	5
DNDA 9/8/ RJ45 > Pin 1/ F.....	6
DNDA 9/8/ RJ45 > Pin 9/ F.....	6
DNDA 9/8 LANG/ F.....	6
DNDA 12/8 611D.....	6
DNDA 17/8 POSMO.....	6
DNDA 15/8/ RJ45 > Pin 15/ F.....	7
DNDA 15/8 HTL.....	7
DNDA 15/8/ TWIN.....	7
DNDA 15/8/ RJ45 > Pin 1/ F.....	8
DNDA 15/8/ RJ45 > Pin 15/ M.....	9
DNDA 15/8 HTL SL.....	9
DNDA 15/8/ TWIN.....	9
DNDA 15/8/ RJ45 > Pin 1/ M.....	9
DNDA 15/8 HTL-SL.....	9
DNDA 15/15/ SUBD > Pin 1/ M.....	10
DNDA 15.....	10
DNDA 15/8.....	10
DNDA 15/8/15.....	10
DNDA 15/8 HD/ RJ45 > Pin 15/ F.....	11
DNDA 15/8 HD RJ45 ZENT>F.....	11
DNDA 15/8 HD HTL SL.....	11
DNDA 15/8 HD TWIN.....	11
DNDA 15/3+2 HD/ DIN/ T.....	11
DNDA 15/ T/ HD/ T ▶ Pin 1 Seite.....	11
DNDA 25/ 8/ RJ45 > Pin 25/ F.....	12
DNDA 25/ 8/ RJ45 Pin > 25/ M.....	12
DNDA 25/8 K.....	12
DNDA 25/8 T.....	12
DNDA 25/ 2/ T.....	12
DNDA 25/8 TWIN.....	12
DNDA 25/3 DIN-R HTL/ DIN > Pin 25/ M.....	13
DNDA 25/ TBS.....	13
DNDA 25/ REF.....	13
DNDA 25/8/ RJ45 ▶ Pin 1/ M.....	13
DNDA 25/8 T.....	13
DNDA 26/8/HD/RJ45 > Pin 26/F.....	14
Anschlusskabel.....	14
Connection cable.....	14
DNRJ 45.....	14
DNRJ 45 HTL2.....	14
DNRJ 45 HTL-SL.....	14
RJ45-SUBD9.....	14
USB-SUBD 9.....	15
USB-USB MIN.....	15
COM-COM.....	15
SUBD 15/ HD-SUD 15/ HD.....	15
Abmessungen.....	15
Dimensions.....	15

## DNDA 9/8/ RJ45 > Pin 9/ F

### DNDA 9/8/ RJ45 > Pin 9/ F

	Signal/ Index	X8-Lenze	LANG	Indel-SAC2	C99/D	C-88	NTI X12	MTU-1	Lust CDD/R	MD84
	or  Pwr	4		9	5	1	1	9	---	4
	or-ws  0V	5	2	8	6	2	5	6	4	5
	gn-ws  A	3	6	2	2	3	6	4	1	1
	gn  A/	2	1	3	7	5	2	5	2	2
	bn-ws  B	1	8	4	3	4	7	1	3	6
	bn  B/	9	3	5	8	6	3	2	8	7
ID-No.:	93LE21	93LE22	91PS23	91ZE21	91EC21	91NT21	91MT21	91LU09	93SM21	

Signal/ Index	SEW-X15Enc	IEF X4 E	SRS50M3
or  Pwr	--	2	---
or-ws  0V	5	3	9
gn-ws  A	1	1	1
gn  A/	6	6	2
bn-ws  B	2	9	3
bn  B/	7	5	4
ID-No.:	92RE02	92IE21	93SR21

Signal/ Index	IEF X2A R	AX2000	Indel/R	AMK-X130	AC122	Lenze/R	SM-SD2 X8	Ferro con-2R	X15R-SEW	LTI
or  Pwr		---	---	---	---			---	---	
or-ws  0V		---	---	---	---	3		---	---	
gn-ws  A	1	8	4	3	4	6	1	4	1	1
gn  A/	6	4	8	4	8	7	6	5	6	2
bn-ws  B	2	7	3	5	3	4	4	3	2	3
bn  B/	7	3	7	6	7	5	9	2	7	8
bl-ws  REF	4	9	5	7	5	1	7	1	3	6
bl  REF/	9	5	9	8	9	2	3	9	8	7
ID-No.:	91IE21	91AX21	91ID21	91AM21	92BR21	94LE21	91SM21	91FC22	91RE41	91LT01

### DNDA 9/Kabel > Pin 9 / F

	Signal/ Index	C99/D
	or  Pwr	5
	or-ws  0V	6
	gn-ws  A	2
	gn  A/	7
	bn-ws  B	3
	bn  B/	8
ID-No.:	91ZE51	

### DNDA 9/8 HTL

	DNDA 9/8 Lenze/R1	SUBD9 --> RB	Referenzbildung	RB	RB --> RJ45-Kabel
	---	or  Pwr	---	9	or  Pwr
	---	or-ws  0V	---	10	or-ws  0V
	6	gn-ws  A	1	1	gn-ws  A
	7	gn  A/	2	2	gn  A/
	4	bn-ws  B	4	4	bn-ws  B
	5	bn  B/	3	3	bn  B/
	1	bl-ws  REF	5	8	bl-ws  REF
	2	bl  REF/	6	7	bl  REF/
95LE21:	Schirmung	E: Schirmung		Schirmung	

95LE21: (1) 40cm (2) 300cm

	Signal/ Index	BR-X6-HTL-SL	CT-SK3-HTL
	or  Pwr	---	---
	or-ws  0V	9	1
	gn-ws  A	1	3
	gn  A/	2	4
	bn-ws  B	3	5
	bn  B/	4	6
ID-No.:	91BR01	92CO72	

91BR01: (1) 35cm (2) 65cm

## DNDA 9/8/ RJ45 > Pin 1/ F

### DNDA 9/8/ RJ45 > Pin 1/ F

	Signal/ Index	Jet Move X61 Hifa	140R	Jet MoveX61 R	LTI
	or  Pwr	5: 12V		---	
	or-ws  0V	4	5	---	
	gn-ws  A	7	7	7	
	gn  A/	2	3	2	
	bn-ws  B	8	8	8	
	bn  B/	3	4	3	
	bl-ws  REF/		9	1	
	bl  REF/		5	6	
ID-No.:	93JM21	91SL21	91JM21		

### DNDA 9/8/ RJ45 > Pin 9/ F

	Signal/ Index	Jet Move X61 Hifa	140R	Jet MoveX61 R	LTI
	or  Pwr	5: 12V		---	
	or-ws  0V	4	5	---	
	gn-ws  A	7	7	7	
	gn  A/	2	3	2	
	bn-ws  B	8	8	8	
	bn  B/	3	4	3	
	bl-ws  REF/		9	1	
	bl  REF/		5	6	
ID-No.:	93JM21	91SL21	91JM21		

### DNDA 9/8 LANG/ F

	Signal/ Index	LANG			
	or  Pwr	7			
	or-ws  0V	2			
	gn-ws  A	6			
	gn  A/	1			
	bn-ws  B	8			
	bn  B/	3			
	bl-ws  REF/	9			
	bl  REF/	5			
ID-No.:	99SO32				

## DNDA 12/8 611D

12/8 T-stück 2,5m Lumberg

## DNDA 17/8 POSMO

17/8 T-Stück 3,0 m Phoenix

	Signal/ Index	M23-T	POSMO
	or  Pwr	---	16
	or-ws  0V	10	15
	gn-ws  A	5	1
	gn  A/	6	2
	bn-ws  B	8	11
	bn  B/	1	12
	ID-No.:	99SI29	99SI30

Stecker Pin sind mit den Buchsen-Pin eins zu eins verbunden. Male pin are with female pin one to one connected.

## DNDA 15/8/ RJ45 > Pin 15/ F

### DNDA 15/8/ RJ45 > Pin 15/ F

	Signal/ Index	AMK-RES	SITRA	AC120/124	AMK	MHD/G	ALBR	Stoerber X4	FGB-1	BM-5V
	or Pwr		4	4	7	12 (10V)	9	4	2	2
	or-ws 0V	8	5	2	8	4	12	2	3	1
	gn-ws A	10	7	1	4	2	1	6	1	8
	gn A/	9	13	9	3	9		11	9	7
	bn-ws B	12	15	3	6	3	3	1	12	5
bn B/	11	6	11	5	10		9	5	9	
ID-No.:	92AM22	91ST22	93AT22	91AM22	91IN22	91AB22	92ST22	91FG22	94BM22	

Signal/ Index	611D-B	MCB-3	Kit R	INFOT	MCS S-7/E-8	B+R PNM	B+R AC120 PNM	B+R AC121 PNM	MOVIAXIS	NTI X13
or Pwr	1	15	8	12	9	---	---	---	---	1
or-ws 0V	2	10	9	10	1	2	2	2		5
gn-ws A	3	3	14	1	5	11	1	1	2	9
gn A/	4	9	6	9	13	3	9	9	10	2
bn-ws B	6	6	13	3	6	9	3	3	1	10
bn B/	7	11	5	11	14	1	11	11	9	3
ID-No.:	91EL22	93MC22	92KI22	92PI22	94MC22	95BR22	93BR22 <sup>(1)</sup>	94BR22 <sup>(1)(2)</sup>	91MO22	91NT22

Signal/ Index	AC121	SEW X15	Indra DYN	BMVR1	DARC	SMC30	AC121B	DEF 01.1M	Stoerber X4TTL
or Pwr	4 (10V)	15 (10V)	11 (10V)	2 (10V)	12 (10V)	4 (10V)	4 (10V)	12	4
or-ws 0V	2	7/8	4	1	6	7	2	10	2
gn-ws A	1	2	2	8	5	15	1	5	8
gn A/	9	10	3	7	3	14	9	6	15
bn-ws B	3	1	5	5	8	13	3	8	5
bn B/	11	9	6	9	4	12	11	1	13
ID-No.:	94AT22	91RE01	99IN22	91BN22	91DA22	91SM22	95AT22 <sup>(2)</sup>	92IN22	92TL22

(1) handelsübliches Patchkabel

(2) Pin 8 und 10 entfernt

Signal/ Index	BM4 R	MCR-6	MDLA R
or Pwr	---	---	---
or-ws 0V	---	---	---
gn-ws A	7	3	5
gn A/	8	11	12
bn-ws B	9	2	6
bn B/	5	10	13
bl-ws REF		4	14
bl REF/		12	7
ID-No.:	93BM22	92MC22	93MD22

### DNDA 15/8 HTL

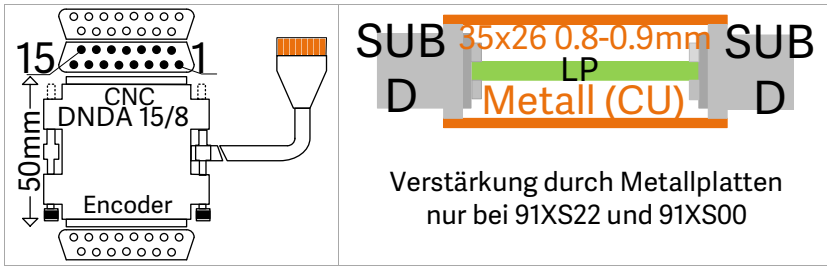
### DNDA 15/8/ TWIN

	Signal/ Index	MDS5-HTL-SL		Signal/ Index	SEWTWIN X13R
	or Pwr	---		gn-ws A	1
	or-ws 0V	2		gn A/	9
	gn-ws A	6		bn-ws B	2
	gn A/	11		bn B/	10
	bn-ws B	1		bl-ws REF	5
bn B/	9	bl REF/	13		
ID-No.:	92MD22		ID-No.:	91TS22	

	Signal/ Index	SUBD 1-8	RJ 1-8/ System1	SUBD 12-15	RJ 12-15/ System2
	bl 0V	1	4	---	---
	bl-ws U+	2	5	---	---
	or-ws C+	3	1	---	---
	or C-	4	2	---	---
	gn-ws D+	5	3	12	1
	gn D-	6	6	13	2
	bn-ws S	7	7	14	7
	bn VM	8	8	15	8
ID-No.:		91MV22			

DNDA 15/8/ RJ45 > Pin 1/ F

DNDA 15/8/ RJ45 > Pin 1/ F



Signal/ Index	MHD/GE	AC120E	AC121E	TS2620/40	Indra dyn2	ANCA 5DX	ANCA AMD5000	X4S	S300	PDMS-A 15/8 STEC S2E
or  Pwr	12 (10V)	4	4 (10V)	---	---	---	---	4	4	10
or-ws  0V	4	2	2	7	4	15	15	2	2	3
gn-ws  A	2	1	1	3	2	14	14	11	11	14
gn  A/	9	9	9	4	3	7	7	3	3	7
bn-ws  B	3	3	3	1	5	10	10	9	9	15
bn  B/	10	11	11	2	6	2	2	1	1	8
ID-No.:	92JN22	93BE22	94BE22	93ST22	99PS22	91AN22	91AN23	91XS22	91DH22	91SE22

AC121E: 8+10 Stift entfernt male pin removed	X4S: 1, 3, 6, 7, 9, 10, 11, 14 Stift entfernt male pin removed	AC123E: mit Gleitverriegelung with slide locks	ANCA 5Dx: mit Schrauben with screws
---	---	---	--



## DNDA 15/8/ RJ45 > Pin 15/ M

### DNDA 15/8/ RJ45 > Pin 15/ M

	Signal/ Index	Siem ADI4	DAE1.1	E-PMC2	Num MdlA100	DSV-X3	B03315	KEB	MC S-7/E-8
	or  Pwr	4	12	14 (10V)	---	3	7	12	9
	or-ws  0V	7	10	5	---	4	15	10	1
	gn-ws  A	15	5	2	12	1	1	5	5
	gn  A/	14	6	1	5	2	2	6	13
	bn-ws  B	13	8	4	13	5	4	8	6
	bn  B/	12	1	3	6	6	5	1	14
	ID-No.:	91SA22	94IN22	93SO22	94NU21	92PA23	94SS22	91KB22	94MC22

Signal/ Index	SIMO 611D	FM-NC	SIN 800	WF723C	DLF01.1M-A	D150	DZF 03.1M	EP20
or  Pwr	1	4	14	4	12	4	12	---
or-ws  0V	2	9	11	7	10	5	10	15
gn-ws  A	3	15	1	15	7	8	7	2
gn  A/	4	14	9	14	8	7	15	1
bn-ws  B	6	13	10	13	6	13	13	3
bn  B/	7	12	3	12	5	14	14	4
ID-No.:	91SI22	98SI22	96SI22	98SO22	96IN22	91SO22	93IN22	92EP22

### DNDA 15/8 HTL SL

	Signal/ Index	611D-HTL-SL	BRATZ-HTL	SMC30-HTL
	or  Pwr	---	12	4
	or-ws  0V	2	10	7
	gn-ws  A	3	5	15
	gn  A/	4	6	14
	bn-ws  B	6	8	13
	bn  B/	7	1	12
	ID-No.:	92SK20	91BZ02	92SC22

### DNDA 15/8/ TWIN

	Signal/ Index	S300 TWIN R	S300 TWIN L
	or  Pwr	4	4
	or-ws  0V	2	2
	gn-ws  A	11	9
	gn  A/	3	1
	bn-ws  B	9	11
	bn  B/	1	3
	ID-No.:	91TR22	91TL22

### DNDA 15/8/ RJ45 > Pin 1/ M

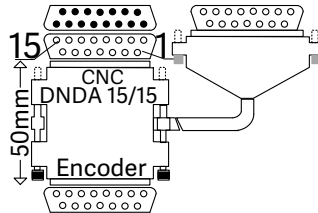
	Signal/ Index	SIMO E 611D	E CM	MC6	AX5-R
	or  Pwr	1	1		
	or-ws  0V	2	2	12	2
	gn-ws  A	3	3	4	11
	gn  A/	4	4	11	4
	bn-ws  B	6	6	3	10
	bn  B/	7	7	10	3
	bl-ws  REF	---	---	---	12
bl  REF/	---	---	---	5	
ID-No.:	92SI22	95CM12	91MC12	92AX42	

### DNDA 15/8 HTL-SL

	Signal/ Index	AC123 DS-HTL
	or  Pwr	13
	or-ws  0V	12
	gn-ws  A	1
	gn  A/	2
	bn-ws  B	3
	bn  B/	4
	ID-No.:	97BE22

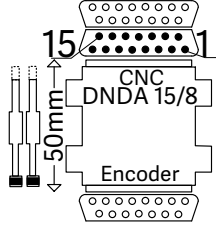
DNDA 15/15/ SUBD > Pin 1/ M

DNDA 15/15/ SUBD > Pin 1/ M



Signal/Index	AC120	X-OUT	GM	X-OUT	SIMO 611D	X-OUT
or  Pwr	4	1	13	1	1	1
or-ws  OV	2	2	11	2	2	2
gn-ws  A	1	3	9	3	3	3
gn  A/	9	4	14	4	4	4
bn-ws  B	3	6	1	6	6	6
bn  B/	11	7	4	7	7	7
ID-No.:	91BE26		96GM26		91SI26	

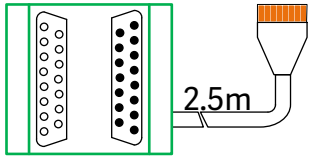
DNDA 15



	2	4	8	9
2			9	2
3		3	10	1
4		8	11	15
5		6	12	--
6		5	13	12
7		10	14	11
			15	--
99SO01				

DNDA 15/8

Hutschienenmontage

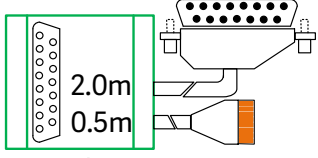


Signal/ Index	H DMC	H SIN
or  Pwr	13	14
or-ws  OV	11	11
gn-ws  A	9	1
gn  A/	14	9
bn-ws  B	1	10
bn  B/	4	3
ID-No.:	95SI22	95SI23

DIN rail monting

DNDA 15/8/15

Hutschienenmontage



Signal/ Index	AC120/124
or  Pwr	4
or-ws  OV	2
gn-ws  A	1
gn  A/	9
bn-ws  B	3
bn  B/	11
ID-No.:	99BE22

DIN rail monting

DNDA 15/8 HD/ RJ45 > Pin 15/ F

	Signal	Compax X13R	AMD 2000	SCARA	Kabel handelsüblich	TRIA PNM
	or Pwr	---	---	---	or 0V	---
	or-ws 0V	---	15	15	bl A	6
	gn-ws A	8	2	7	bl-ws A/	2
	gn A/	7	1	8	bn-ws B	7
	bn-ws B	12	4	9	bn B/	3
bn B/	11	3	10		8	
bl-ws REF	4	---	---			
bl REF/	15	---	---			
ID-No.:	93CO22	91AN12	91AN13	ID-No.:	91TA22	

Signal/ Index	ZEISS	KEB-S4/ F4	Unidr-SP	KEB-X3A	KIN	S4000-TTL	JAT-1	Fagor AXD	ZEISS 2	XENJ8	HIWIN X10
or Pwr	4	12	---	12	14	5	---	9	5	---	5
or-ws 0V	9	13	14	13	6	10	6	11	9	15	15
gn-ws A	7	8	1	8	1	7	2	1	7	14	1
gn A/	2	3	2	3	2	1	7	2	2	13	6
bn-ws B	6	9	3	9	3	4	3	3	6	12	2
bn B/	1	4	4	4	4	9	8	4	1	11	7
ID-No.:	91ZE22	92PA24	92PA26	92PA15	91KI22	91SA32	91JA22	92FR22	92ZE22	91XE22	92HI22

DNDA 15/8 HD RJ45 ZENT>F

	ETEWE
	---
	14
	1
	2
	3
4	
ID-No.:	92PA27

DNDA 15/8 HD HTL SL

	Signal/ Index	WMH1
	or Pwr	
	or-ws 0V	7
	gn-ws A	3
	gn A/	8
	bn-ws B	4
bn B/	9	
ID-No.:	91WH22	

DNDA 15/8 HD TWIN

	Signal/ Index	TWIN LTI X7L	TWIN LTI X7R
	or Pwr	3	3
	or-ws 0V	8	8
	gn-ws A	2	11
	gn A/	1	6
	bn-ws B	11	2
bn B/	6	1	
ID-No.:	91TL15	91TR15	

DNDA 15/3+2 HD/ DIN/ T

	Signal	SUB D 15	DIN Stecker	Temp-Kabel
	Z+	4	5	
	Temp+	5		Temp+
	GND	6	3	
	Z-	9	6	
	Temp-	10		Temp-
ID-No.:		99TA22		

DNDA 15/ T/ HD/ T ▶ Pin 1 Seite

	Signal	LTI	LT12
	T1	14	9
	T2	15	10
	ID-No.:	91LI22	91LI23

DNDA 25/ 8/ RJ45 > Pin 25/ F

	Signal/ Index	Aero	SM-SD2	SM-SD2 S/C	PA SDI
	or  Pwr	3	5 (10V)	9	---
	or-ws  0V	21	14	14	---
	gn-ws  A	17	21	21	4
	gn  A/	18	8	8	17
	bn-ws  B	14	19	19	16
	bn  B/	15	6	6	3
	bl-ws  REF/				5
	bl  REF/				18
	ID-No.:	91AE24	91SM25	94SM25	94PA25

DNDA 25/ 8/ RJ45 Pin > 25/ M

	Signal/ Index	Simovert-Res	SM140	SM140-5	SIMO 611D	ATLAS COPCO	NUM1050	LC481
	or  Pwr	---	24 (12V)	24 (5V)	1	18	9 (10V)	
	or-ws  0V	---	14	14	2	3	21	
	gn-ws  A	3	10	10	3	20	13	20
	gn  A/	4	9	9	4	7	25	7
	bn-ws  B	6	8	8	6	19	12	19
	bn  B/	7	7	7	7	6	24	6
	bl-ws  REF/	9						
	bl  REF/	11						
	ID-No.:	91SV25	92SM25	93SM25	91SI25	91AT25	91NU25	22AT25

DNDA 25/8 K

	Signal/ Index	K SIMO 611D
	or  Pwr	1
	or-ws  0V	2
	gn-ws  A	3
	gn  A/	4
	bn-ws  B	6
	bn  B/	7
	ID-No.:	91SK25

DNDA 25/8 T

	Signal/ Index	SIMO611D
	or  Pwr	1
	or-ws  0V	2
	gn-ws  A	3
	gn  A/	4
	bn-ws  B	6
	bn  B/	7
(SW)	13	
(GR)	25	
ID-No.:	95SI25	

DNDA 25/ 2/ T

	Signal	Temp 611D
	13, 15	entfernt
		15
	SW	13
	GR	25
ID-No.:	93SI25	

DNDA 25/8 TWIN

	Signal/ Index	611D	25/2-8 611D	EP20	
	or  Pwr	1	1	RJ45-1	RJ45-2
	or-ws  0V	2	2	13	13
	gn-ws  A	3	3	15	21
	gn  A/	4	4	14	20
	bn-ws  B	6	6	16	22
	bn  B/	7	7	17	23
	ID-No.:	97SJ25	91SI92	93EP25	

DNDA 25/3 DIN-R HTL/ DIN > Pin 25/ M

Signal	SUBD25	DIN8	Signal	SUBD25	DIN8
UB: 5V	1				
0V	2	3	GND	2	3
R: 1Vss	17	5	REF Z	7	6
R/: 1Vss	18	6	Z	14	5
ID-No.:	91DN95			92DN39	

DNDA 25/ TBS		DNDA 25/ REF			
	Signal	SIMO 611D TBS		Signal/ Index	REF 611D
	or  Pwr	20		or  Pwr	1
	or-ws  0V	21		or-ws  0V	2
	gn-ws  A	22		gn-ws  A	3
	gn  A/	17		gn  A/	4
	bn-ws  B	13		bn-ws  B	6
	bn  B/	25		bn  B/	7
	bl-ws  REF	NC		bl-ws  REF	17
bl  REF/	19	bl  REF/	18		
ID-No.:	96SJ57	ID-No.:	98SI80		

DNDA 25/8/ RJ45 ▶ Pin 1/ M

Signal/ Index	E SIMO611D	E SM-SD2
or  Pwr	1	5 (10V)
or-ws  0V	2	14
gn-ws  A	3	21
gn  A/	4	8
bn-ws  B	6	19
bn  B/	7	6
ID-No.:	92SI25	95SM25

DNDA 25/8 T

Signal/ Index	ET SIMO611D	ETV2 SIMO 611D
or  Pwr	1	1
or-ws  0V	2	2
gn-ws  A	3	3
gn  A/	4	4
bn-ws  B	6	6
bn  B/	7	7
SW	13	13
GR	25	25
ID-No.:	96SI25	98SI25

DNDA 26/8/HD/RJ45 > Pin 26/F

	Signal/ Index	EL-5V-1	EL-8V-1	NUM MDLU3	NUM MDLU	Reni SR	BM5000
	or  Pwr or-ws  0V gn-ws  A gn  A/ bn-ws  B bn  B/ bl-ws  REF bl  REF/	24 25 1 10 2 11	-- 25 1 10 2 11	-- 5 11 2 10 1	-- 5 17 8 18 9	-- 9 1 19 2 11	-- 1 6 7 4 5
ID-No.:	91EL58	91EL38	91MD28	91MD29	93ZE100	91BM25	

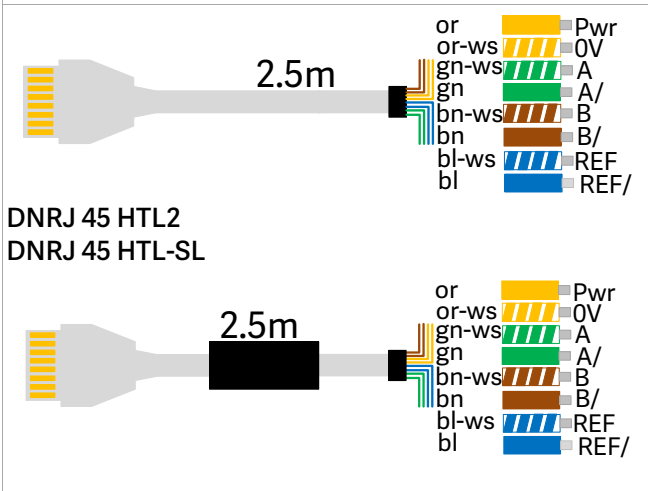
  

Signal/ Index	BM5000R	eni Shaw				
or  Pwr or-ws  0V gn-ws  A gn  A/ bn-ws  B bn  B/ bl-ws  REF bl  REF/	-- 9 21 22 25 26 10 1	-- 24 6 7 16				
ID-No.:	91BM26	93ZE25				

Anschlusskabel

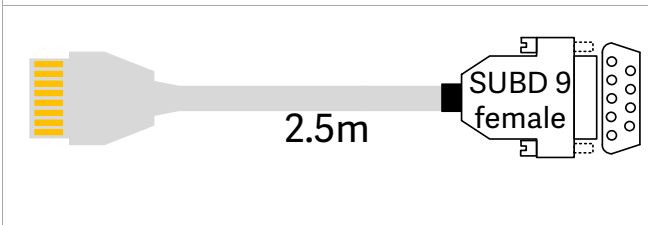
Connection cable

DNRJ 45



DNRJ	DNRJ45	DNRJ45R	HTL SL	HTL2	SSI
or  Pwr or-ws  0V gn-ws  A gn  A/ bn-ws  B bn  B/ bl-ws  REF bl  REF/	Pwr 5V 0V A A/ B B/ REF REF/		0V 24V A 24V A/ 24V B 24V B/ R R/	Pwr 24V DC 0V 24V A 24V A/ 24V B 24V B/ 24VDC GND	CLK- CLK+ DATA+ DATA- SET/QUIT Sensor 24VDC GND
ID-No.:	97RJ20	98RJ20	95RJ20	91RJ20	97RJ21

RJ45-SUBD9

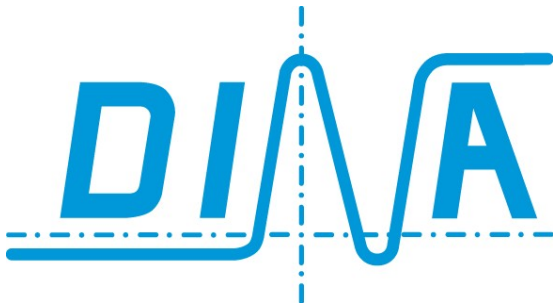


Signal	RS232	SUBD 9	Thimm	RJ	SUBD 9
0V			or-ws	1	5
0V	or-ws	5	or	2	5
TX	bl	2	gn	6	3
RX	bl-ws	3	bn	8	2
ID-No.:		91RS21	Andere Adern isoliert		

### Abmessungen

<b>USB-SUBD 9</b> 	USB Adapterkabel mit Treiber/ 1,8m	USB adapter cable with booster/ 1,8m	99SO05
<b>USB-USB MIN</b> 	USB Programmierkabel/ 2,0m	USB programming cable	99SO11
<b>COM-COM</b> 	SUB D 9Pol, COM Verlängerungskabel /1:1	SUB D 9pin COM extension cable/ 1:1	99SO12
<b>SUBD 15/ HD-SUD 15/ HD</b> 	SUB HD 15Pol Verlängerungskabel /1:1	SUB HD 15pin extension cable/ 1:1	98VL22

Abmessungen	Dimensions		
RJ45 male 	<b>DNDA 15/8 HD</b> 	<b>DNDA 9/8</b> 	
	<b>DNDA 26/8 HD</b> 	<b>DNDA 15/8</b> 	
	<b>DNDA 25/8</b> 		



Wir sind Sicherheit.  
We are safety.

DINA Elektronik GmbH  
Esslinger Str. 84  
D72649 Wolfschlugen  
Phone +49 7022 95 17 0  
Fax +49 7022 95 17 700  
[info@dina.de](mailto:info@dina.de)  
[www.dina.de](http://www.dina.de)